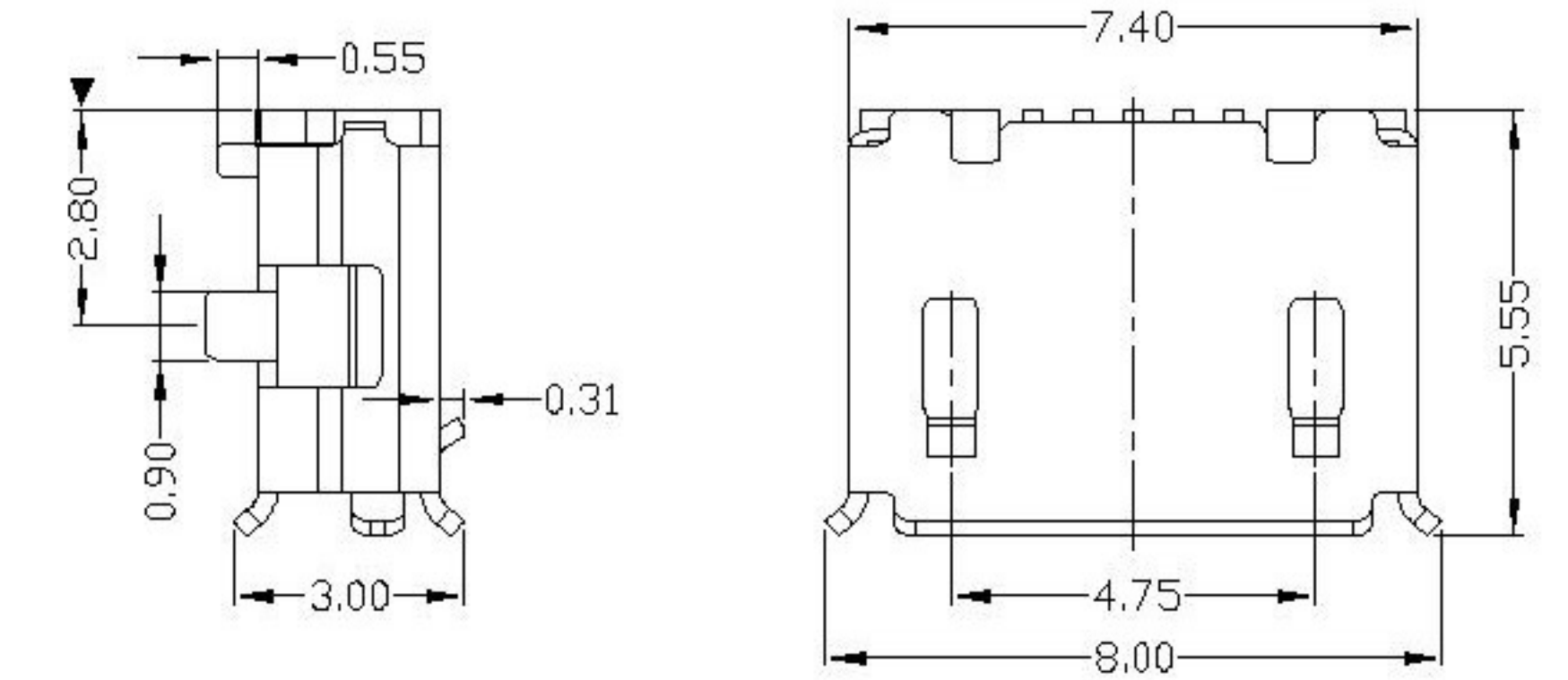
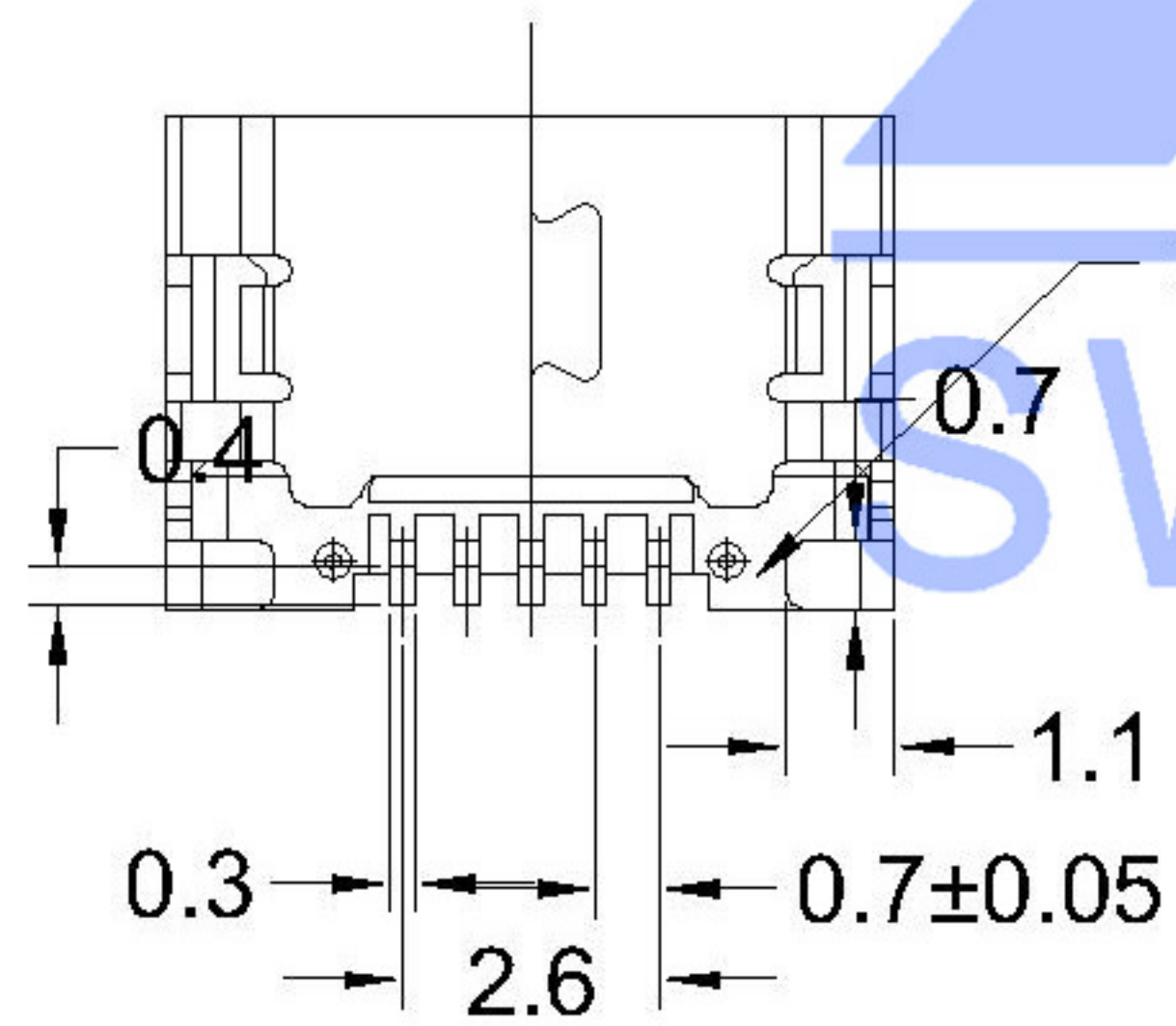
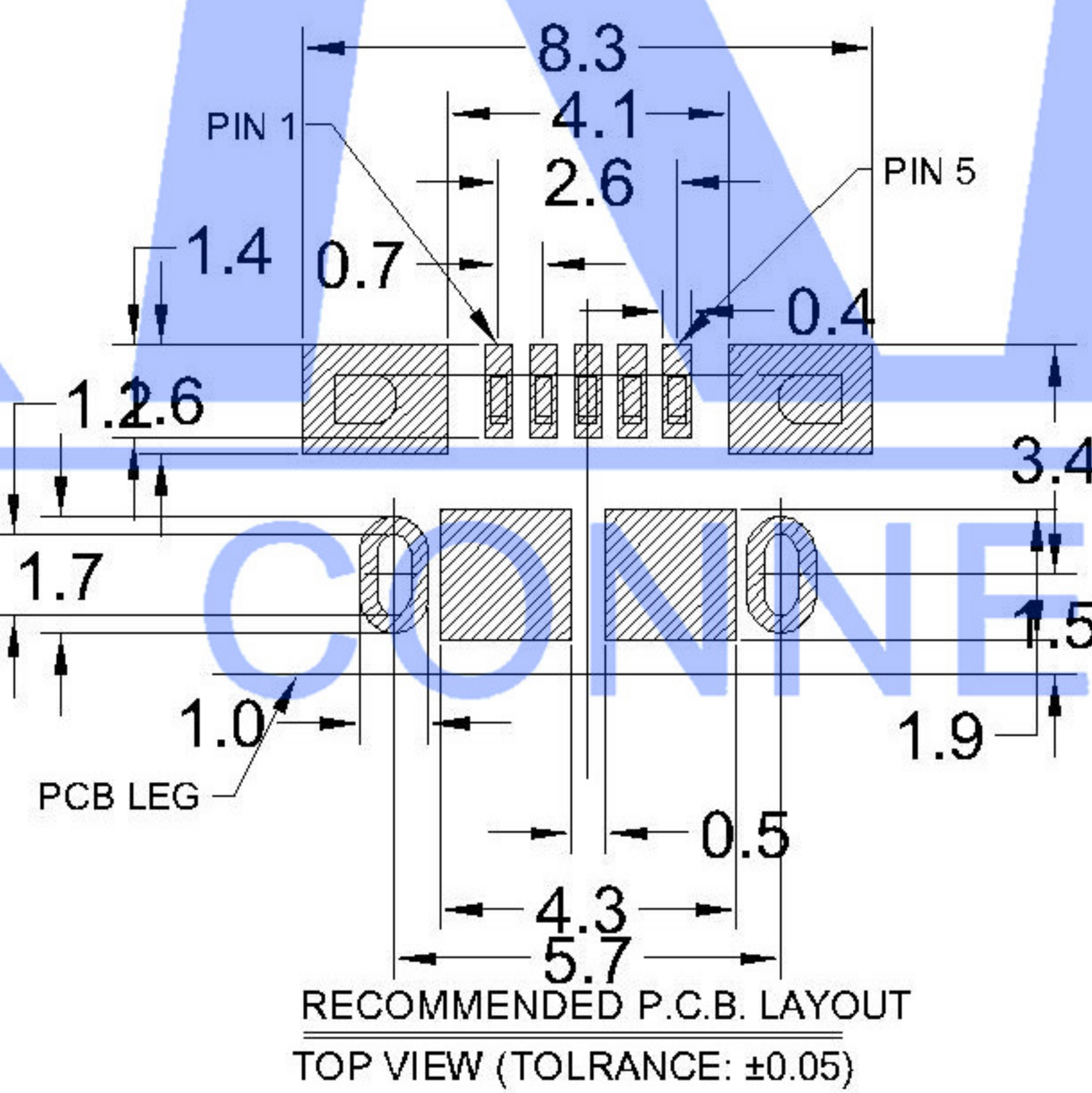
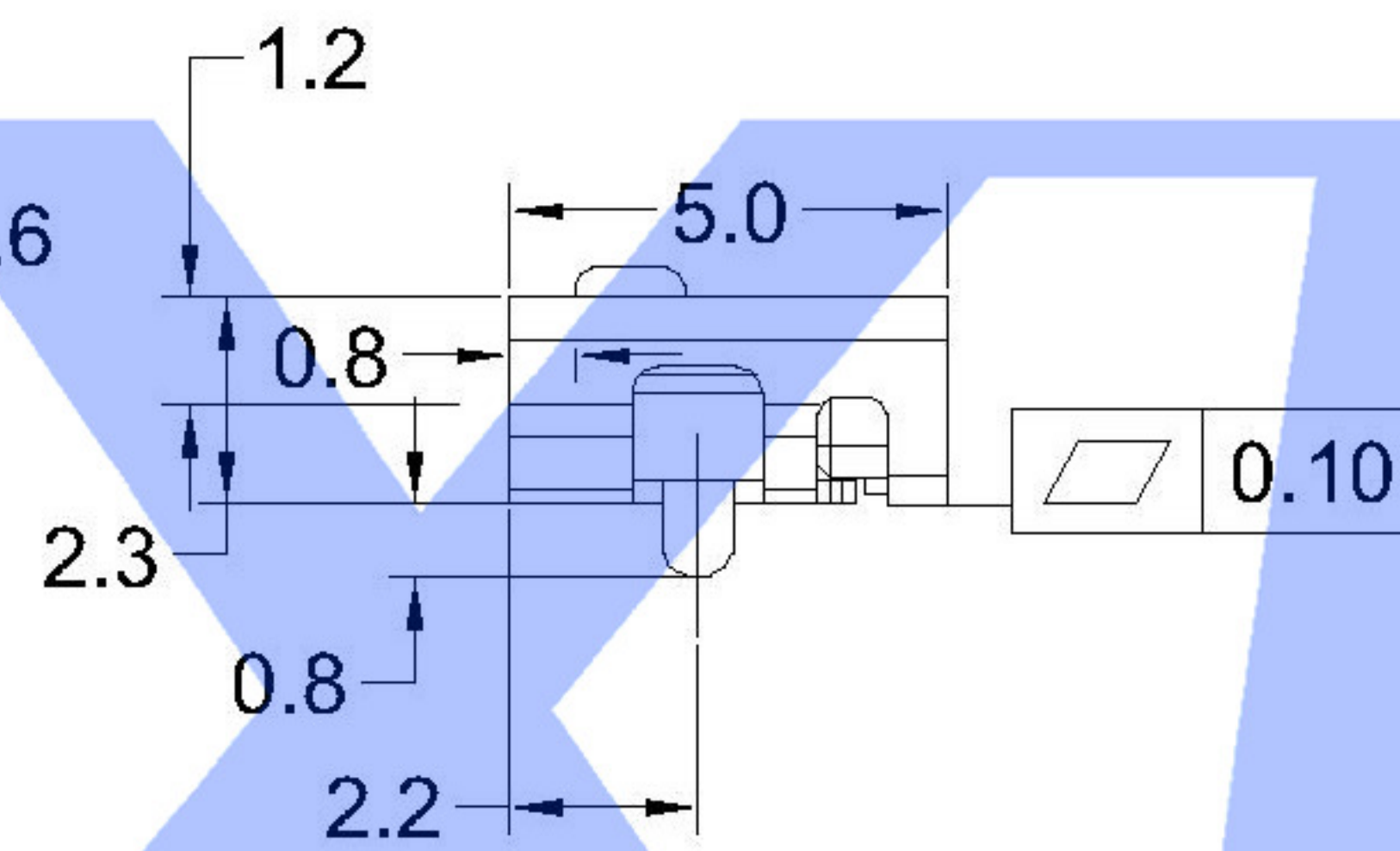
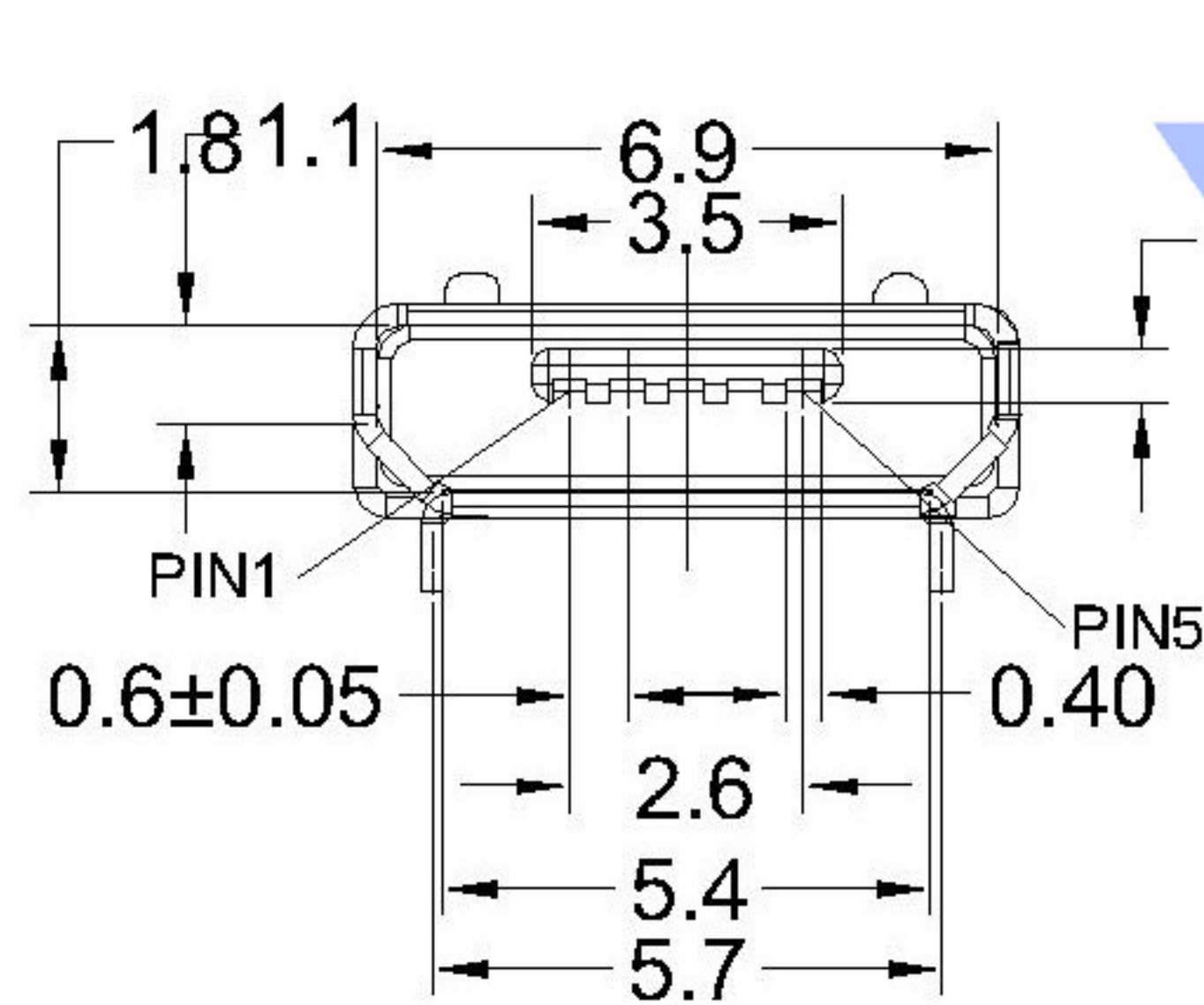


Flat(F)



Scrolls (S)



NOTES:

- MATERIAL:**  
INSULATOR: HI-TEMP PLASTIC UL 94V-O; BLACK.  
CONTACT: COPPER ALLOY(T=0.15MM).  
SHELL: COPPER ALLOY(T=0.25MM).
- FINISH:**  
CONTACT: Au PLATED ALL OVER NICKEL  
SHELL: MATTE Sn PLATED OVER NICKEL
- ELECTRICAL CHARACTERISTICS:**  
CURRENT RATING: 1.0 A  
VOLTAGE RATING: 30 V  
DIELECTRIC WITHSTANDING VOLTAGE: AC500V R.M.S.  
INSULATION RESISTANCE: 100 MΩ MINIMUM.  
CONTACT RESISTANCE: 30 mΩ MAXIMUM.
- ENVIRONMENTAL:**  
OPERATING TEMPERATURE:-20°C~+85°C.

U254-05XX-4BH83-X-X-X

- 1: Au 1U"
- 6: Au 30U"
- T: TIN
- N: NICKEL
- B: BRASS S: SUS
- 1: WITH 2: WITHOUT
- S: SCROLLS F: FLAT
- B: BLACK W: WHITE
- 1: PBT
- 2: PA6T
- 3: PA9T
- 4: LCP

DSND		DATE		SCALE: N/A	MODEL TYPE: MICRO USB
ΔX		DATE		VIEW:	PART NO.: U254-05XX-4BH83
ΔX		DATE		UNIT: mm	DWG NO.: U254-05XX-4BH83-XXX
ΔX		DATE		SIZE: A4	
MARK	DESCRIPTION	DATE	REVISED	APPROVED	WEIGHT 1.0g SHEET 1/1 REVISION A0
	REVISIONS			UNSPECIFIED TOLERANCES	
	www.xk-dg.cn www.1k0k.com www.1k0k.cn				XKB INDUSTRIAL PRECISION CO., LIMITED